

MACHINE MODEL

BS 300 PLUS GH

Gravity autocut version to cut left and right

Short description

BS 300 PLUS GH is the BS version with gravity autocut. The machine is suitable to cut both left and right (up to 60° on the left and 45° right). The machine is versatile working tool able to realize small and medium batch production and an easy to use working tool that can be used either in mechanics and steelwork.

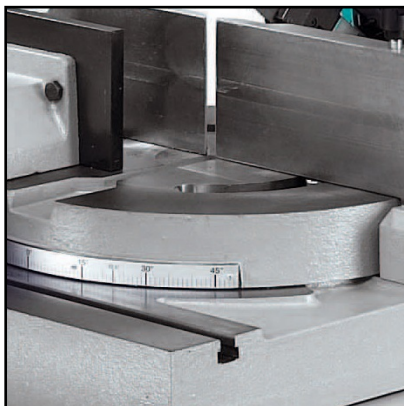


Scan the video



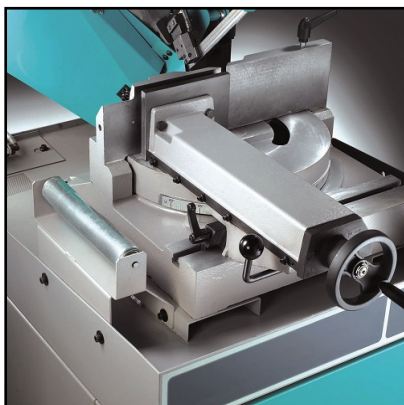
Cutting capacity at 90°	Round 255 mm. Square 230 mm. Rectangular 300x180mm
Cutting capacity at 45° right	Round 210 mm. Square 190 mm. Rectangular 200x180mm
Cutting capacity at 45° left	Round 180 mm. Square 160 mm. Rectangular 180x100mm
Cutting capacity at 60° left	Round 135 mm. Square 110 mm. Rectangular 130x100mm
Maximum capacity for full materials	180mm
Blade size.	2765x27x0,9
End-cutting bandsaw inclination	3°
Blade motor	1,5/1,8 kw
Blade speed	35/70 - 15÷110 m/min
Hydraulic unit motor power	kw 0,37
Hydraulic united tank	Lt 12
Coolant tank	Lt 20
Size	1230x1700x1750 mm
Working table height	940 mm
Weight	412kg

Features



Wide working area

BS 300 PLUS is equipped with a wide diameter working area and a system of automatic easy stops at 0°, 45° and 60° left and 45° right with graduated plate to identify and set different angles.



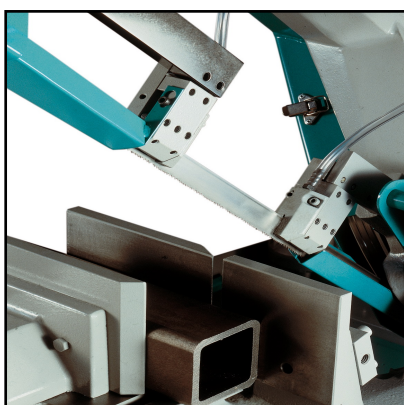
Opening vice

The vice has adjustable guides, free to move alongside the worktable, with rapid approaching and clamping.



Rigid sawframe

Machine sawframe is rigid cast-iron with tubular section, 320 mm pulleys, high blade tension at 1700 kg/cm² and to avoid an excessive strain on the blade with frontal regulation and microswitch controller.



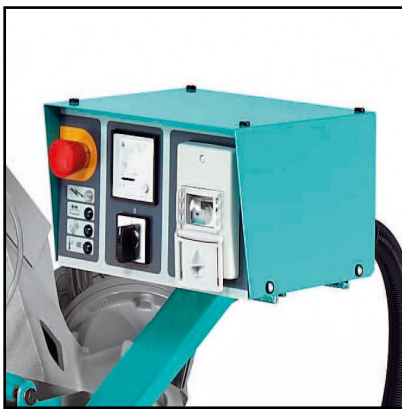
Blade protection

A carter protect the blade, allowing to have easy access for maintenance when needed; a system with blade guides with hard pads, additional lateral bearings provides for the perfect alignment of the blade



Autocut

GH version has a 3-mode selector: - Manual cut - Fast approach to the material - Automatic cut with adjustable down-feed rate and stop at cutting ending. The user can move manually the sawframe close to the material, then let the machine makes the cut adjusting only the down-feed rate.



Easy to use

Safe starting through the button on the handle with warning light to inform the use about the correct machine functioning. Coolant-tank and electropump are placed inside the floor stand.



Electronic inverter (Optional)

OPTIONAL

If required, the electronic inverter for variable blade speed allows the operator via keyboard to adjust the machine to be able to cut a wide range of materials and different sections. The change of speed is via inverter and it does not affect the power of the engine even at low speeds.



Minimal lubrication system (Optional)

OPTIONAL

It is possible to require, for all Imet machines, the minimal lubrication system, it avoids the dispersion of refrigerant liquid typical in the use of emulsifiable oil, the life of the blade is not in any way affected.



Adapter to synchronize sawframe-roller table (Optional)

OPTIONAL

Adapter to synchronize the RTP/RTD table with sawframe motion.



Pneumatic vice (Optional)

OPTIONAL

Pneumatic vice, opening/closing synchronised with the sawframe motion



Laser ray (Optional)

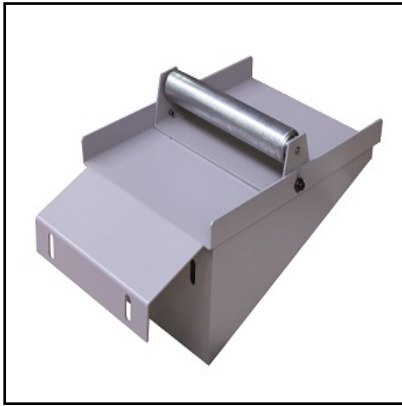
OPTIONAL



Bi-metal blade

OPTIONAL

Bi-metal blade 2765x27x0.9 mm



Connection element for unloading table (Optional) OPTIONAL

Connection element for unloading table, equipped with one roller and a slide to collect the coolant



Loading/unloading table - First element (Optional) OPTIONAL

Loading/unloading table 1st element, 2 m long, max capacity kg 700.



Loading/unloading table - following element (Optional) OPTIONAL

Loading/unloading table following element, 2m long, max capacity 600kg.



Unloading roller table with metric rod - first element (Optional) OPTIONAL

Unloading roller table with metric rod and length stop, 1st element, 2m long, maximum capacity 700kg



Unloading roller table - following element (Optional)

OPTIONAL

Unloading roller table with metric rod and length stop, following element, 2m long, maximum capacity 600kg



Unloading table with measurement system (Optional)

OPTIONAL

Unloading roller table with length measurement view system and manual positioning. RTD2LW30 - unloading table with length measurement view system, manual positioning, capacity 700kg length 2m RTD4LW30 - unloading table with length measurement view system, manual positioning, capacity 1300kg length 4m RTD6LW30 - unloading table with length measurement view system, manual positioning, capacity 1900kg length 6m



Unloading roller table with length stop (Optional)

OPTIONAL

Unloading table with motorized length stop, selection the lengths with keyboard. RTP3W30 - Unloading table with motorized length stop and selection of the lengths via keyboard, 3m, 1300kg. RTP6W30 - Unloading table with motorized length stop and selection of the lengths via keyboard, 6m, 1900kg. RTP9W30 - Unloading table with motorized length stop and selection of the lengths via keyboard, 9m, 2700kg



Unloading roller table with digital reading (Optional)

OPTIONAL

Unloading roller table with digital reading and manual positioning. RTL3W30 - measurement length 3m, maximum capacity 3000kg RTL6W30 - measurement length 6m, maximum capacity 6000kg RTL9W30 - measurement length 9m, maximum capacity 9000kg



sawing technology

IMET SPA
Località tre fontane, 6 - 24034
Cisano Bergamasco (BG) Italy
Tel +39 035 4387911 | Fax +39 035 787066
imet@imetsaws.com
www.imetsaws.com

BS 300 PLUS GH



Pair of vertical roller 300mm (Optional)

OPTIONAL

Pair of vertical rollers 300 mm made in steel, max 2 pairs for each element 2m long. To use without rollers covers.